



Vortical A-E Range

- Plate axial medium pressure axial fan
- Direct or ducted extraction
- IP54 Rated

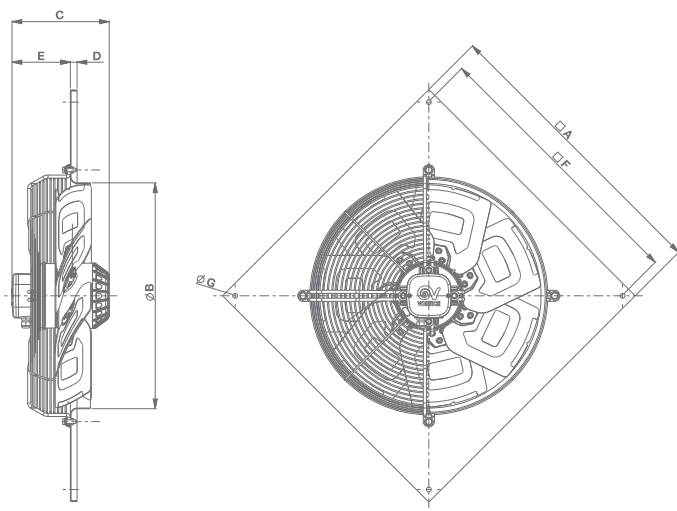
Technical Details

Code	Model	Watts	Amps	m ³ /hr	Pa
Single phase					
42207	A-E 252 M	95	0.41	1365	177
42208	A-E 254 M	38	0.17	764	61
42216	A-E 304 M	81	0.35	1563	130
42258	A-E 354 M	170	0.75	2960	100
42260	A-E 404 M	300	1.33	4310	132
42307	A-E 454 M	270	1.19	5250	127
42316	A-E 504 M	482	2.12	6639	186
42337	A-E 506 M	290	1.27	4805	152
42356	A-E 566 M	350	1.60	6715	134
Three phase					
42357	A-E 254 T	50	0.22	785	134
42227	A-E 304 T	79	0.22	1696	129
42259	A-E 354 T	166	0.35	2980	115
42261	A-E 404 T	318	0.65	3832	246
42308	A-E 454 T	370	0.73	5187	155
42327	A-E 504 T	485	1.12	6966	128
42346	A-E 506 T	250	0.79	5040	96
42336	A-E 564 T	925	1.71	9255	285
42366	A-E 566 T	480	1.06	8050	175
42347	A-E 636 T	522	1.10	9502	154

Product Accessories*

Code	Model	For Model
52151	DPU Spacer Panel 250	42207-42208-42357
52251	DPU Spacer Panel 300	42216-42227
52351	DPU Spacer Panel 350	42258-42259
52451	DPU Spacer Panel 400	42260-42261
50150	PGR 250 Gravity Grille	42207-42208-42357
50250	PGR 300 Gravity Grille	42216-42227
50350	PGR 350 Gravity Grille	42258-42259
50450	PGR 400 Gravity Grille	42260-42261
50550	PGR 450/500 Gravity Grille	42307-42316-42337-42308-42327-42346
51150	TRA 250 Protection Grille	42207-42208-42357
51250	TRA 300 Protection Grille	42216-42227
51350	TRA 350 Protection Grille	42258-42259
51450	TRA 400 Protection Grille	42260-42261
51550	TRA 450/500 Protection Grille	42307-42316-42337-42308-42327-42346

*Non stock items, contact sales for lead time



Dimensions (mm)

	A	B	C	D	E	F	G	F
A-E 252 M	320	264	149	10	82	280	8	2.1
A-E 254 M	320	264	149	10	82	280	8	2.1
A-E 254 T	320	264	149	10	82	280	8	2.5
A-E 304 M	380	216	151	10	84	330	8	3.0
A-E 304 T	380	316	151	10	84	330	8	3.4
A-E 354 M	450	359	155	10	43	380	8	4.0
A-E 354 T	450	359	155	10	43	380	8	4.0
A-E 404 M	450	406	200	15	75	430	12	6.1
A-E 404 T	510	406	207	15	67	430	12	6.3
A-E 454 M	630	455	200	15	60	530	12	6.3
A-E 454 T	630	455	207	15	67	530	12	6.3
A-E 504 M	630	507	218	15	72	530	11	13.2
A-E 504 T	630	507	198	15	52	530	11	11.1
A-E506 M	630	507	218	15	72	530	11	13.2
A-E 506 T	630	507	198	15	52	530	11	11.1
A-E 564 T	725	563	218	15	67	675	11	14.8
A-E 566 M	725	563	218	15	67	675	11	14.8
A-E 566 T	725	563	218	15	67	675	11	14.8
A-E 636 T	805	638	218	15	68	750	11	15.8